



Phone: 303-287-0887

www.RandRwindow.com

## Hurd Sales Service

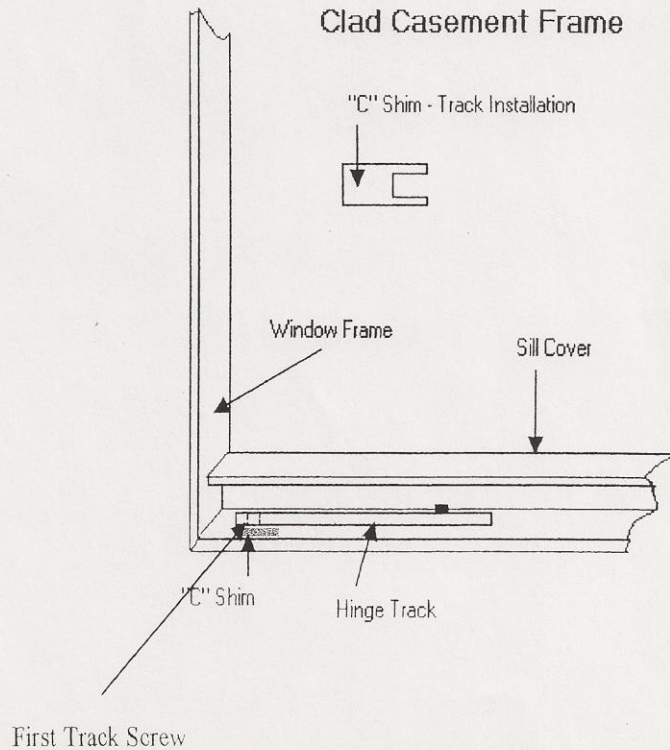
### Clad Casement/Prime Casement

### “C” Hinge Shim Installation Instructions

#### In-Field Installation Instructions

The following instructions are for installing the “C” hinge shim to raise the hinge side of the sash.

1. Open Sash to full open
2. Loosen the first track screw, screw closest to side jamb.
3. With flat blade screwdriver or putty knife, pry up hinge track.
4. Insert shim between track and frame.
5. Re-tighten hinge track screw.



01-16-02